

VL 10 TYPE PNEUMATIC ON-OFF VALVE

FEATURES

The VL10 valve is a 2/2 automatic valve with on-off operation, open or closed by lack of air. It is designed for the automatic control of fluids such as water, steam, compressed air and other compatible fluids. The body is made of GS PN16 cast iron, and the internal parts are of stainless steel.

The packing gland of PTFE-GR chevrons has automatic compensation for wear. The parabolic stainless steel disc with PTFE seat provides class VI sealing. The pneumatic actuator of corrosion-resistant, coated aluminium is of the piston type. It can be supplied with compressed air at a pressure of 6 to 10 bar.

AVAILABLE MODELS

GS cast iron body

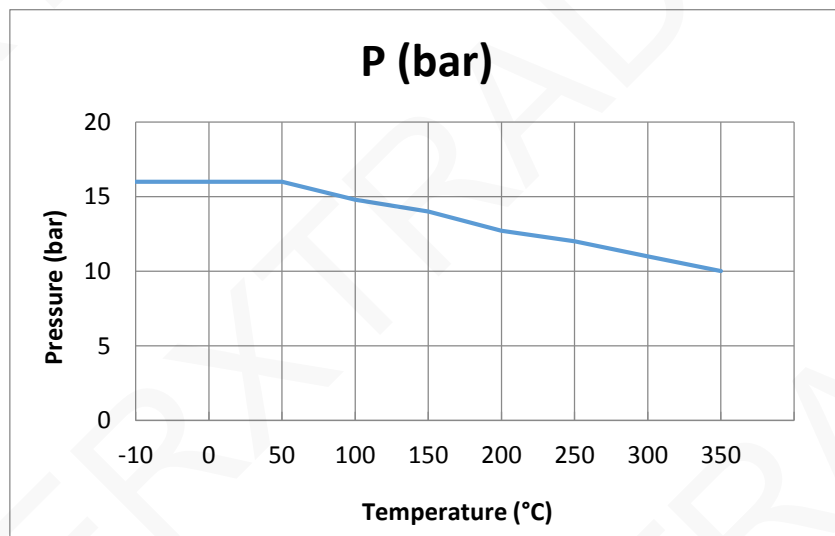
Diameters: DN15 to DN100

PN16/40 flange connections

NC or NO single-effect actuators

LIMITS OF USE

Fluid pressure: WP	16 bar
Fluid temperature: WT°	-10°C / +200°C
Operation under saturated steam	12 bar / +192°C
Ambient temperature	-20°C / +70°C
Motor compressed air	mini 6 bar / maxi 10 bar



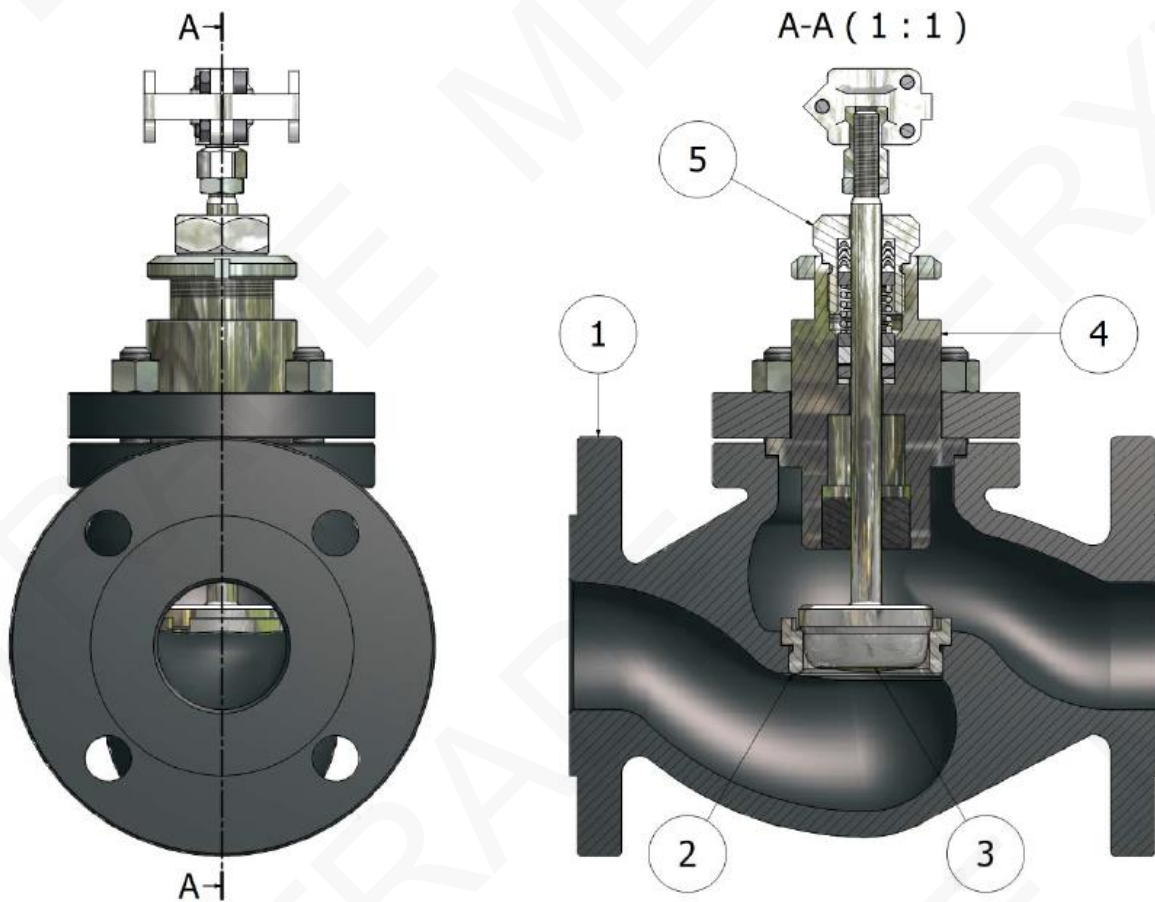
upon request

VL 10 TYPE PNEUMATIC ON-OFF VALVE

DIRECTIVES AND MANUFACTURING STANDARDS

OBJECT	Standard	ON	OBJECT	Standard
Pressure Equipment Directive 97/23/EC	DN15 to DN25: not subject		Cast iron grades	EN 1503-3
	DN32 to DN100: category III	TÜV 0123	Material certificate	EN 10204
ATEX Directive	II 2G/D Tx zones 1,2,21 and 22	TÜV 0123	Flange connections:	EN 1092-2
	EN 13463-1			

CONSTRUCTION

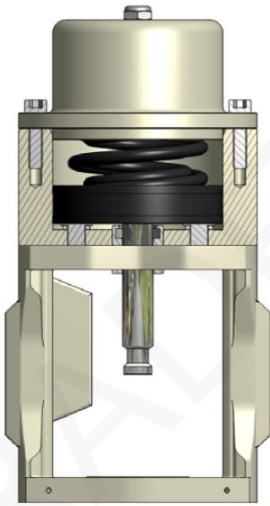


No.	Name	Material
1	Body	GS EN-GJS-400-18 cast iron
2	Seat with flexible seat	ASTM A182 F316 stainless steel + PTFE-GR
3	Valve	ASTM A182 F316 stainless steel
4	Bonnet	ASTM A105 carbon steel
5	Packing gland nut	ASTM A182 F316 stainless steel

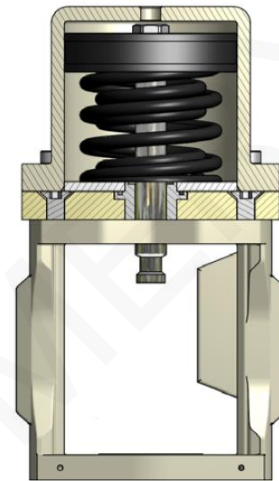
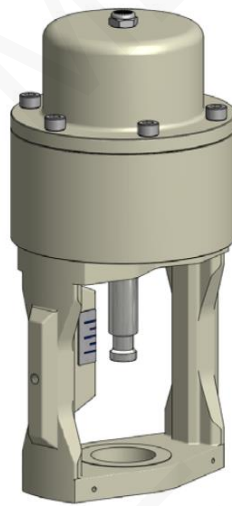
VL 10 TYPE PNEUMATIC ON-OFF VALVE

OP ACTUATOR

Type	With multi-spring piston
Body material	RAL 7021 corrosion-resistant coated aluminium
Internal parts material	Carbon steel
Control signal	6 – 10 bar (90 – 145 psi)
Maximum pressure	10 bar (145 psi)
Pneumatic connection	¼" NPT/F



OMA



FMA

MAXIMUM DIFFERENTIAL PRESSURES (BAR)

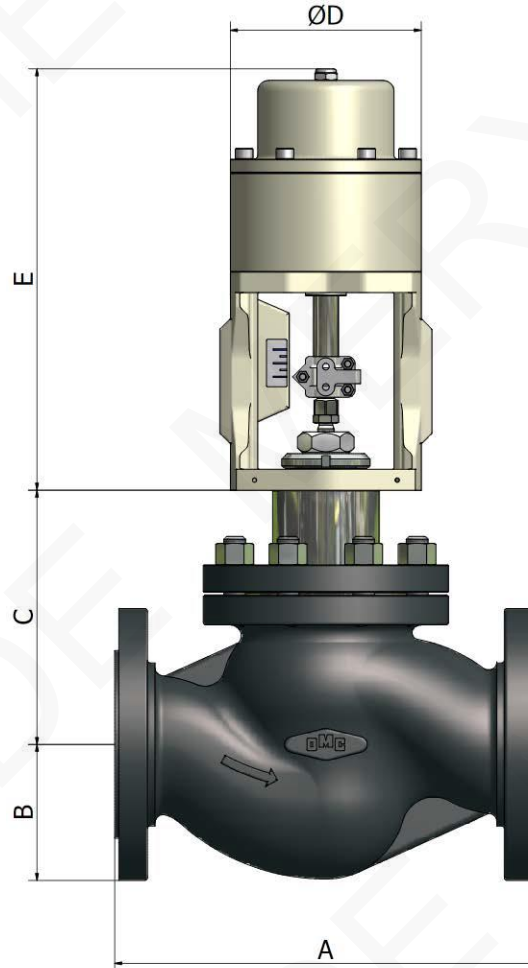
DN	15	20	25	32	40	50	65	80	100
OP 10	12	12	12	12	12	10			
OP 16							12	8	3

FLOW-RATE COEFFICIENT Kv (m³/h)

DN	15	20	25	32	40	50	65	80	100
Kv	3.8	5.1	9.4	15.4	22.2	40.1	63.4	89.7	136.7

VL 10 TYPE PNEUMATIC ON-OFF VALVE


DIMENSIONS (mm) AND WEIGHT (kg)



DN	15	20	25	32	40	50	65	80	100
A	130	150	160	180	200	230	290	310	350
B	47.5	52.5	57.5	70	75	82.5	92.5	100	110
C	126	126	129	129	128	165	187	187	184
Ø D	140	140	140	140	140	140	140	192	192
E	267	267	267	267	267	292	292	335	335
Weight (kg)	12.3	13.3	14.5	16.2	19.7	23.5	35.7	41.9	54.2

VL 10 TYPE PNEUMATIC ON-OFF VALVE

OPTIONS

Limit switch box	
Pilot solenoid valve	
Off-shore paint	